



Bunkbed Assembly Instructions

USE FOR: 4005, 4006, 4007, 4009, 4105, 4205, 4206, 4107, 4207, 4108, 4208 as well as the extra-long versions of these beds – identified with a Q added to the model number.

Contents will vary according to model:

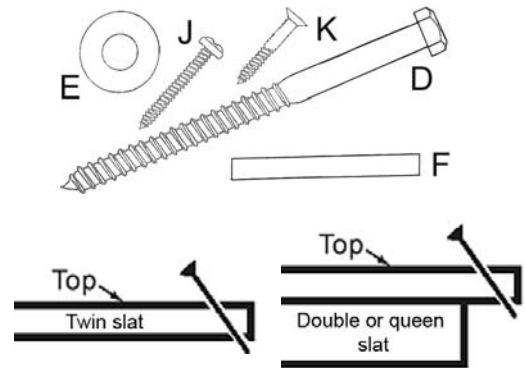
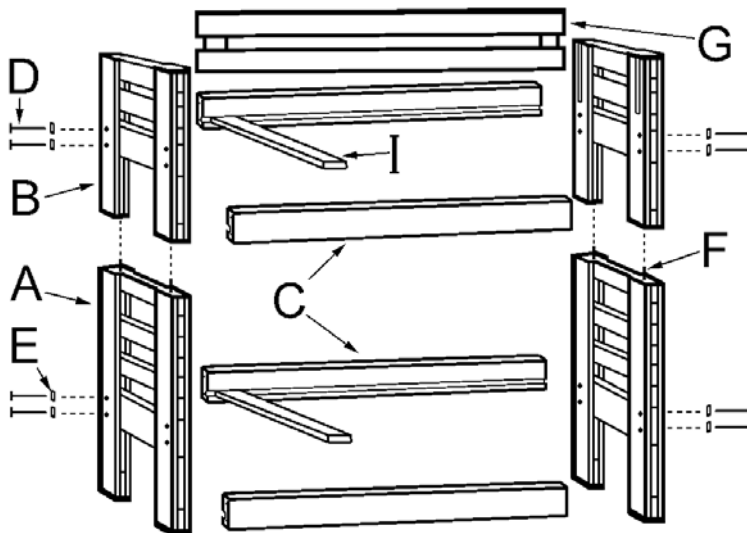
- | | |
|---------------------------------------|-------------------------|
| A. 2 – Bottom bunkbed ends (36" tall) | G. 2 – Guard rails |
| B. 2 – Top bunkbed ends (29" tall) | H. 2 – Posture boards |
| C. 4 – Side rails | I. 8 – Slats |
| D. 16 – 5 ½" Lag bolts | J. 8 – 1 ½" Wood screws |
| E. 16 – Flat washers | K. 8 – 1 ¼" Wood screws |
| F. 4 – Steel pins | |

Tools required:

- 9/16" Socket or wrench
- #2 Robertson or Phillips screwdriver

Please read instructions completely prior to starting.

1. Fasten 2 side rails "C" to the bottom bunkbed ends "A" using 8 – 5 ½" lag bolts "D" with 8 flat washers "E". Be sure grooves on side rails are on the inside, close to the bottom, holes on the top edge of bottom bunkbed ends are facing up and staples are facing to the inside.
2. Slide 4 slats "I" into the side rails of the bottom bunkbed assembly. Two slats are to be placed ½" from the bunkbed ends and secured with one 1 ¼" wood screw "K" at each end of the slat. Position the other 2 slats evenly spaced between the end slats. Secure the centre slats with one 1 ½" wood screw "J" at each end of the slat.
3. Fasten 2 side rails "C" to the top bunkbed ends "B" using 8 – 5 ½" lag bolts "D" with 8 flat washers "E". Be sure grooves on side rails are on the inside, close to the bottom, holes on bottom edge of top bunkbed ends are facing down and slots on top bunkbed ends are facing inside.
4. Slide 4 slats "I" into the side rails of the bottom bunkbed assembly. See diagram below. Two slats are to be placed ½" from the bunkbed ends and secured with one 1 ¼" wood screw "K" at each end of the slat. Position the other 2 slats evenly spaced between the end slats. Secure the centre slats with one 1 ½" wood screw "J" at each end of the slat.
5. Place a steel pin "F" in each hole on the top edge of bottom bunkbed ends "A". Place top bunkbed assembly onto bottom bunkbed assembly, ensuring the steel pins enter the pre-drilled holes on each bunkbed end.
6. Posture boards "H" sit loosely on top of slats. Add mattresses.
7. Slide 2 guard rails "G" into slots of top bunkbed ends.



Slat diagram

Install slats with the pilot hole showing as above. Twin slats are ¾" thick. Double and queen slats are a ¾" thick board reinforced with a thicker board on the bottom – install as shown above.

Important Safety Tips:

1. Do not permit children under 6 years of age to sleep in the upper bunk.
2. Teach children that rough play is unsafe around and on beds and other furniture.
3. Teach children to use the ladders and not chairs or other pieces of furniture to climb into or out of the top bunk.
4. Keep both guard rails in place.
5. Consider using a night-light so that children will be able to see the ladder if they get up during the night.
6. Check and re-tighten (if necessary) all bolts at 6 month intervals.