



# Captain's Bed Assembly Instructions

Use for models: 4011,4411,4511,4012,4412,4512 as well as the extra-long versions of these beds – identified with a Q added to the model number.

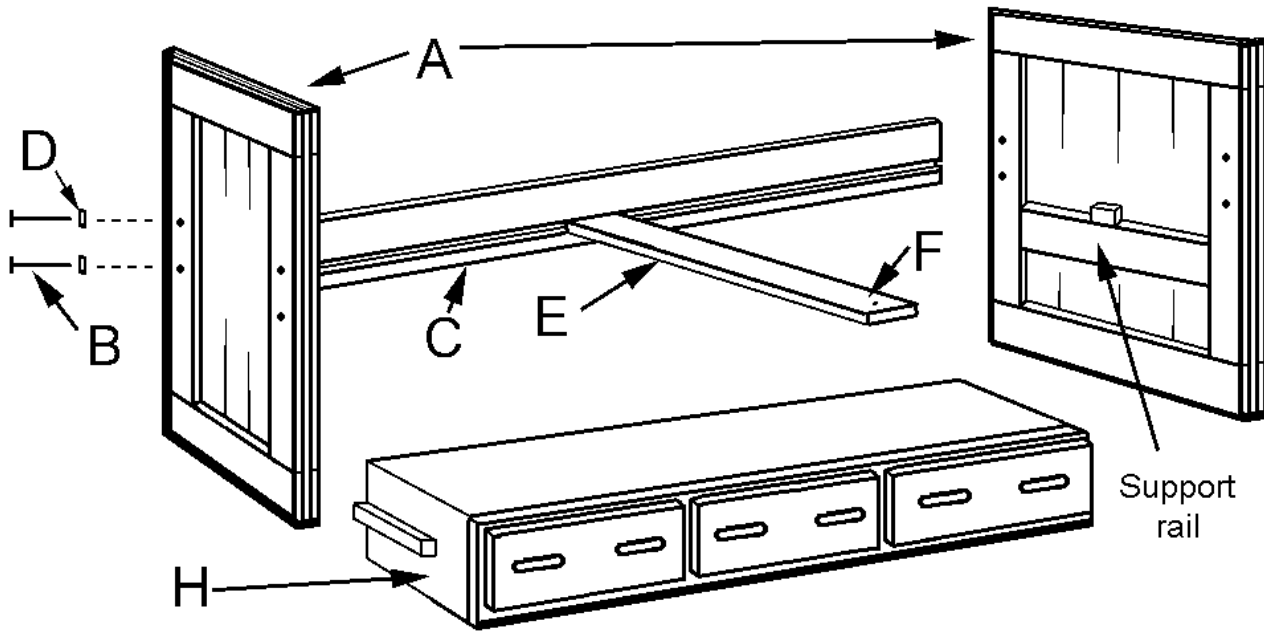
Tools required:  $\frac{9}{16}$ " socket or wrench, #2 Robertson or Phillips screwdriver

**Please read the instructions completely prior to starting.**

**Contents:**

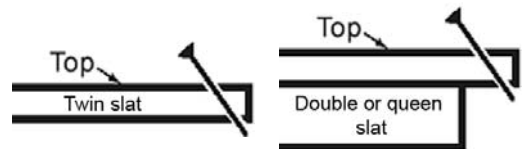
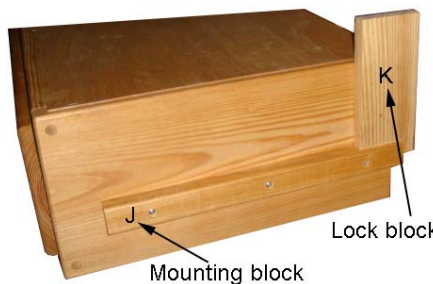
- A. 2 – Bed ends
- B. 8 – 4" Lag bolts
- C. 2 – Side rails
- D. 8 – Washers
- E. 4 – Slats
- F. 4 – 1 ½" Wood screws
- G. 4 – 1 ¼" Wood screws
- H. 3 Drawer Unit (Optional)
- I. Posture Board

1. Fasten the 2 side rails "C" to the 2 bed ends "A" using 8 – 4" lag bolts "B" with the 8 washers "D". Be sure grooves on side rails are on the inside, close to the bottom and that the support rails for the 3 drawer unit "H" are facing each other on the inside of the bed ends.
2. If a drawer unit (4019A or 4919A) is being installed it should be placed on the support rails before the lag bolts are fully tightened. Tighten the lag bolts once the 3 drawer unit is in place.
3. Slide 4 slats "E" into the side rails. 2 slats are placed  $\frac{1}{2}$ " from the bed ends & secured with a wood screw "G" at each end of the slat. Position the other 2 slats evenly spaced between the end slats. Secure the centre slats with one 1 ½" wood screw "E" at each end of the slat.
4. Add posture board and mattress.
5. If a trundle bed is to be added to this assembly it simply ROLLS under the drawer unit and does not attach in any way to the bed. If a 4013 or 4913 drawer unit is to be added it simply slides under the bed and is not attached in any way to the bed.



**4019A and 4919A**

1. Attach mounting blocks (J) to both end panels (if necessary).
2. Position the drawer unit on the drawer unit support rails shown in the picture above.
3. Screw lock blocks (K) to the headboard and footboard.



**Slat diagram**

Install slats with the pilot hole showing as above. Twin slats are  $\frac{3}{4}$ " thick. Double and queen slats are a  $\frac{3}{4}$ " thick board reinforced with a thicker board on the bottom – install as shown above.