



Crate Twin, Double and Queen Bed Assembly Instructions

Use for models: 4366,4376,4396,4372,4379,4382,4386,4389, 4466,4476, 4496,4472,4479,4482,4486,4489, 4566,4576,4596,4572,4579,4582,4586,4589 as well as the extra-long versions of these beds – identified with a Q added to the model number.

Please read the instructions completely prior to starting.

Contents:

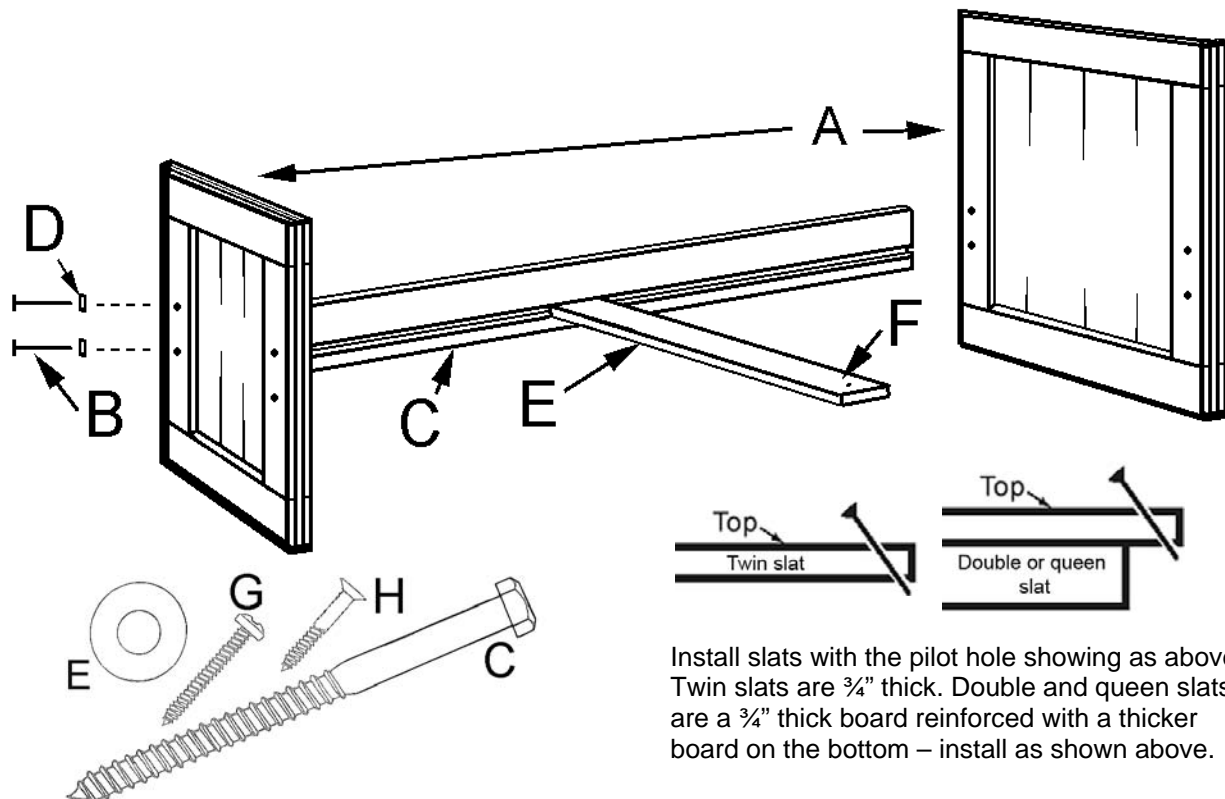
- A. 2 – Bed ends
- B. 8 – 4" Lag bolts
- C. 2 – Side rails
- D. 8 – Washers
- E. 4 – Slats
- F. 4 – 1 ½" Wood screws
- G. 4 – 1 ¼" Wood screws
- H. Posture board

Tools required:

- $\frac{9}{16}$ " socket or wrench
- #2 Robertson or Phillips screwdriver

Please read instructions completely prior to starting.

1. Fasten the 2 side rails "C" to the 2 bed ends "A" using 8 – 4" lag bolts "B" with the 8 washers "D". Be sure grooves on side rails are on the inside, close to the bottom.
2. Slide 4 slats "E" into the side rails. 2 slats are placed $\frac{1}{2}$ " from the bed ends & secured with a wood screw "G" at each end of the slat. Position the other 2 slats evenly spaced between the end slats. Secure the centre slats with one 1 ½" wood screw "F" at each end of the slat.
3. Posture boards "H" sit loosely on top of the slats. Add mattress.
4. If a trundle bed or drawer unit is to be added to this assembly it simply rolls or slides under the bed and does not attach to the bed.



Install slats with the pilot hole showing as above. Twin slats are $\frac{3}{4}$ " thick. Double and queen slats are a $\frac{3}{4}$ " thick board reinforced with a thicker board on the bottom – install as shown above.